



- Model 235 — Recessed **Bradex**<sup>®</sup>
- Model 235-10 — Semi-Recessed (recesses 1-31/32"; projects 2-3/32")
- Model 235-11 — Surface-Mounted (projects 4-1/16")
- Standard Series — Satin Finish

### Product Materials

**CABINET:** 24 gauge steel. Welded construction with seamless corners and burr-free edges.

**FLANGE:** 22 gauge stainless steel with exposed surfaces in architectural satin finish. One piece seamless construction, 1" wide radiused corners with 1/4" return.

**DOORS:** 18 gauge stainless steel. Warp resistant, with full length piano hinge and tumbler lock keyed like other Bradley units.

**TOWEL DISPENSER:** 22 gauge stainless steel. Rolled edge on dispenser opening.

**WASTE CONTAINER INSERT:** leakproof molded plastic.

### Capacity

Towel Dispenser — 800 multi-fold or 500 C-fold paper towels  
Waste Receptacle Insert — 4.9 gal. (0.65 cu. ft.)

### Operation

Towel dispenser holds multi-fold or C-fold towels without use of special adaptor. Waste receptacle insert removable for easy servicing by unlocking waste container.

### Installation

Verify all rough-in dimensions prior to installation. Recessed unit requires rough wall opening 15-3/4"W x 54-5/8"H x 4"D (Semi-recessed unit only 2" deep). Secure to framing with mounting screws (included) at holes provided. Shim at screw points as required. Surface-mounted units must have holes drilled by installer.

### Guide Specification

Recessed combination towel dispenser and waste receptacle shall be fabricated of 22 gauge stainless steel with exposed surfaces in satin finish. Cabinet doors of warp-free construction, equipped with full length piano hinge and secured by tumbler lock. Towel dispenser capacity 800 multi-fold or 500 C-fold towels. Removable 4.9 gal. leakproof molded plastic insert for waste receptacle.

**Overall dimensions: 17-1/8"W x 56"H x 4-1/16"D.**



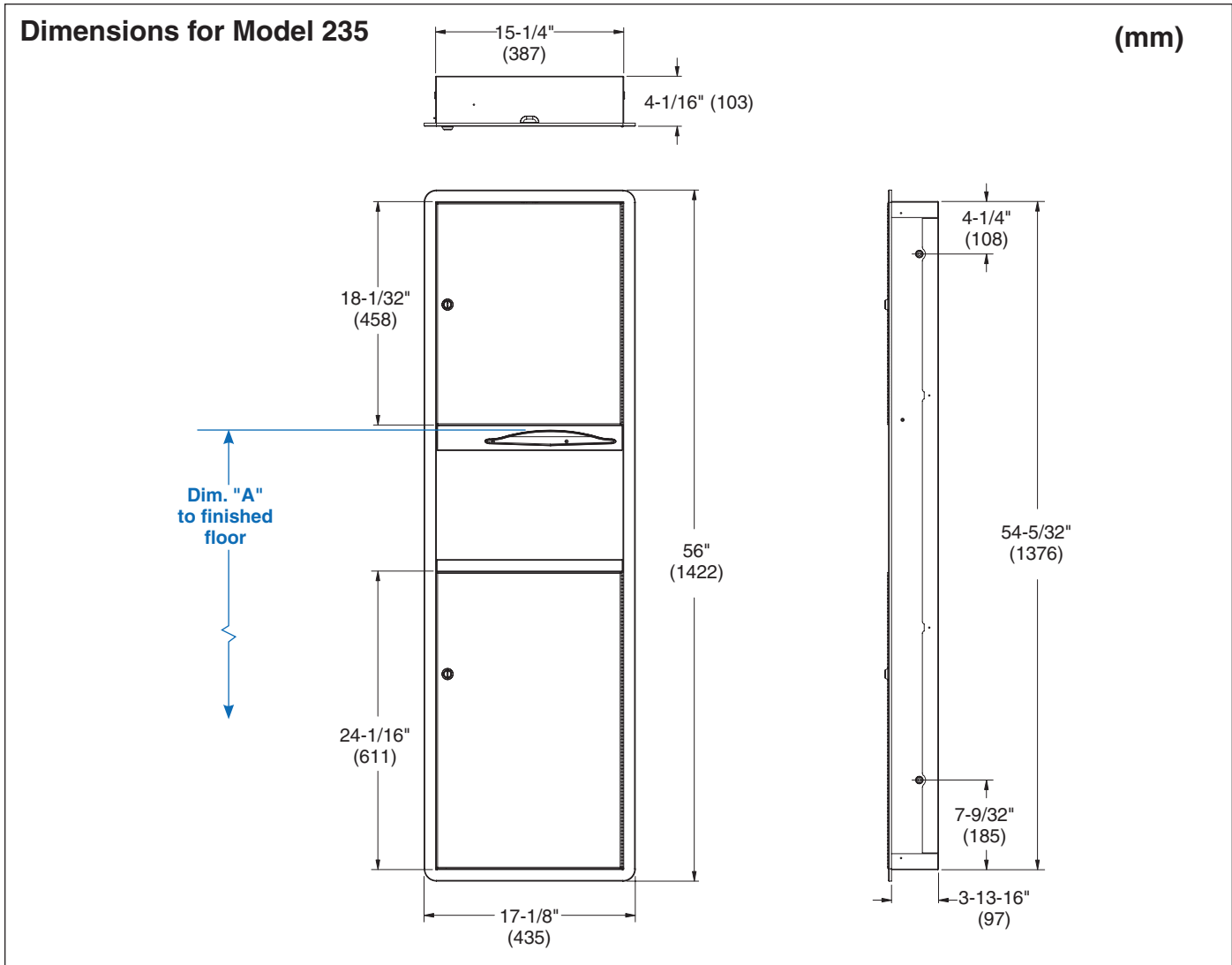
### ADA Compliant

- Consult local and national accessibility codes for proper installation guidelines.
- Conformity and compliance to local and national codes is the responsibility of the installer.

Orders composed of products indicated as **Bradex**<sup>®</sup> will be available to ship in three days after receipt of order at the factory. There is no pricing penalty for this service from Bradley.

Page 1 of 3 7/9/2012  
This information is subject to change without notice.  
Bradley\_CombiDispenser\_235\_10\_11

© 2014 Bradley  
P.O. Box 309, Menomonee Falls, WI 53052-0309  
800 BRADLEY (800 272 3539) +1 262 251 6000  
bradleycorp.com



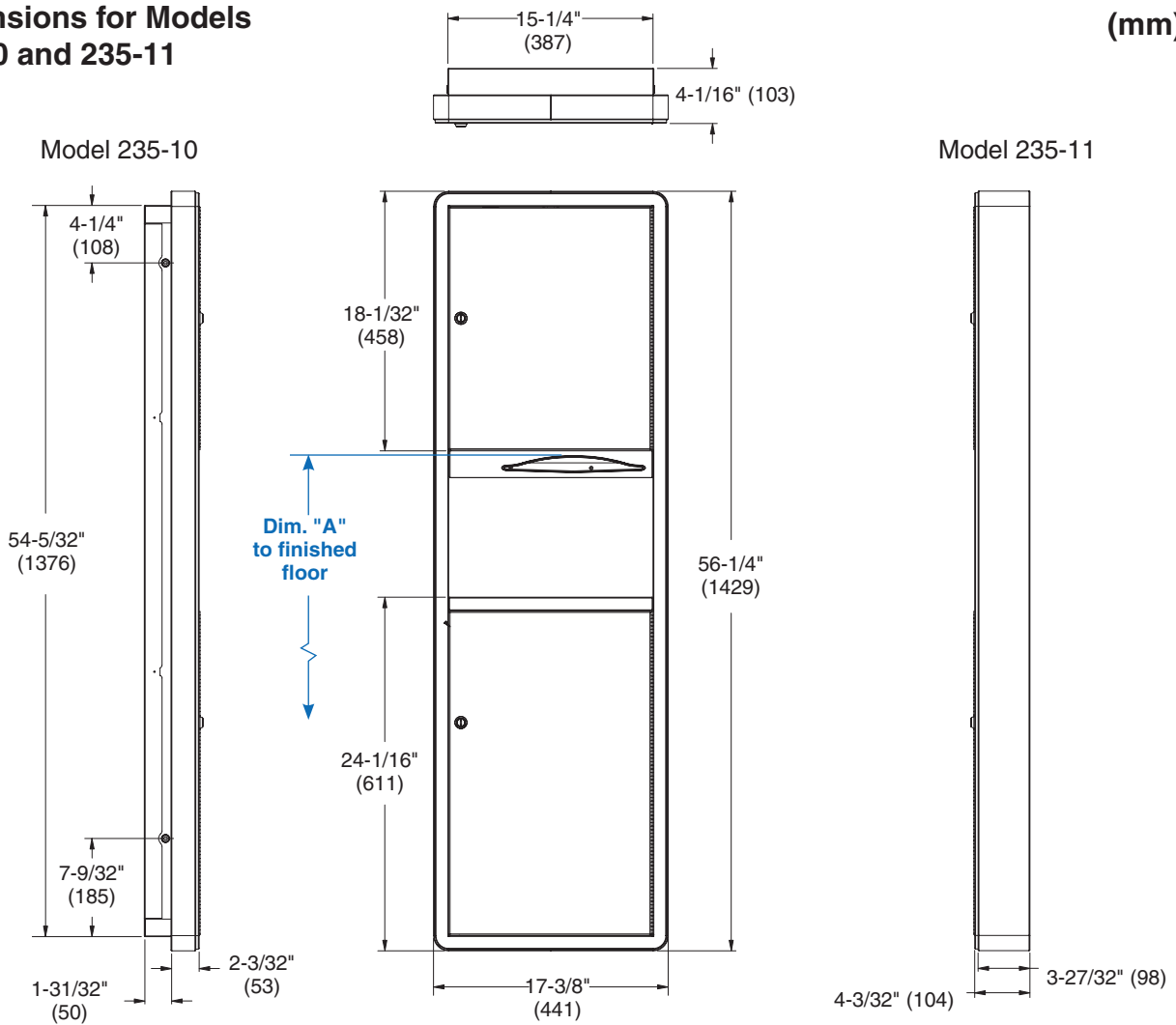
<b>Dim. "A" Key Surface:</b>	For Dim. "A"	Top of Rough Wall Opening	Bottom of Rough Wall Opening
Paper towel top of opening to finished floor	48" (1219)	66-3/4" (1695)	12-1/8" (308)
	45" (1143)	63-3/4" (1619)	9-1/8" (232)
	42" (1067)	60-3/4" (1543)	6-1/8" (156)
	40" (1016)	58-3/4" (1492)	4-1/8" (105)
<b>Rough wall opening:</b>			
Recessed:		15-3/4" (401) Wide x 54-5/8" (1388) High x 4" (102) Deep	

Orders composed of products indicated as **Bradex**® will be available to ship in three days after receipt of order at the factory. There is no pricing penalty for this service from Bradley.



**Dimensions for Models 235-10 and 235-11**

(mm)



<b>Dim. "A" Key Surface:</b>	For Dim. "A"	Top of Rough Wall Opening	Bottom of Rough Wall Opening
Paper towel top of opening to finished floor	48" (1219)	66-3/4" (1695)	12-1/8" (308)
	45" (1143)	63-3/4" (1619)	9-1/8" (232)
	42" (1067)	60-3/4" (1543)	6-1/8" (156)
	40" (1016)	58-3/4" (1492)	4-1/8" (105)
<b>Rough wall opening:</b>			
Surface Mount:	No rough opening, see overall dimensions		
Semi-recessed:	15-3/4" (401) Wide x 54-5/8" (1388) High x 2" (51) Deep		

Orders composed of products indicated as **Bradex**® will be available to ship in three days after receipt of order at the factory. There is no pricing penalty for this service from Bradley.